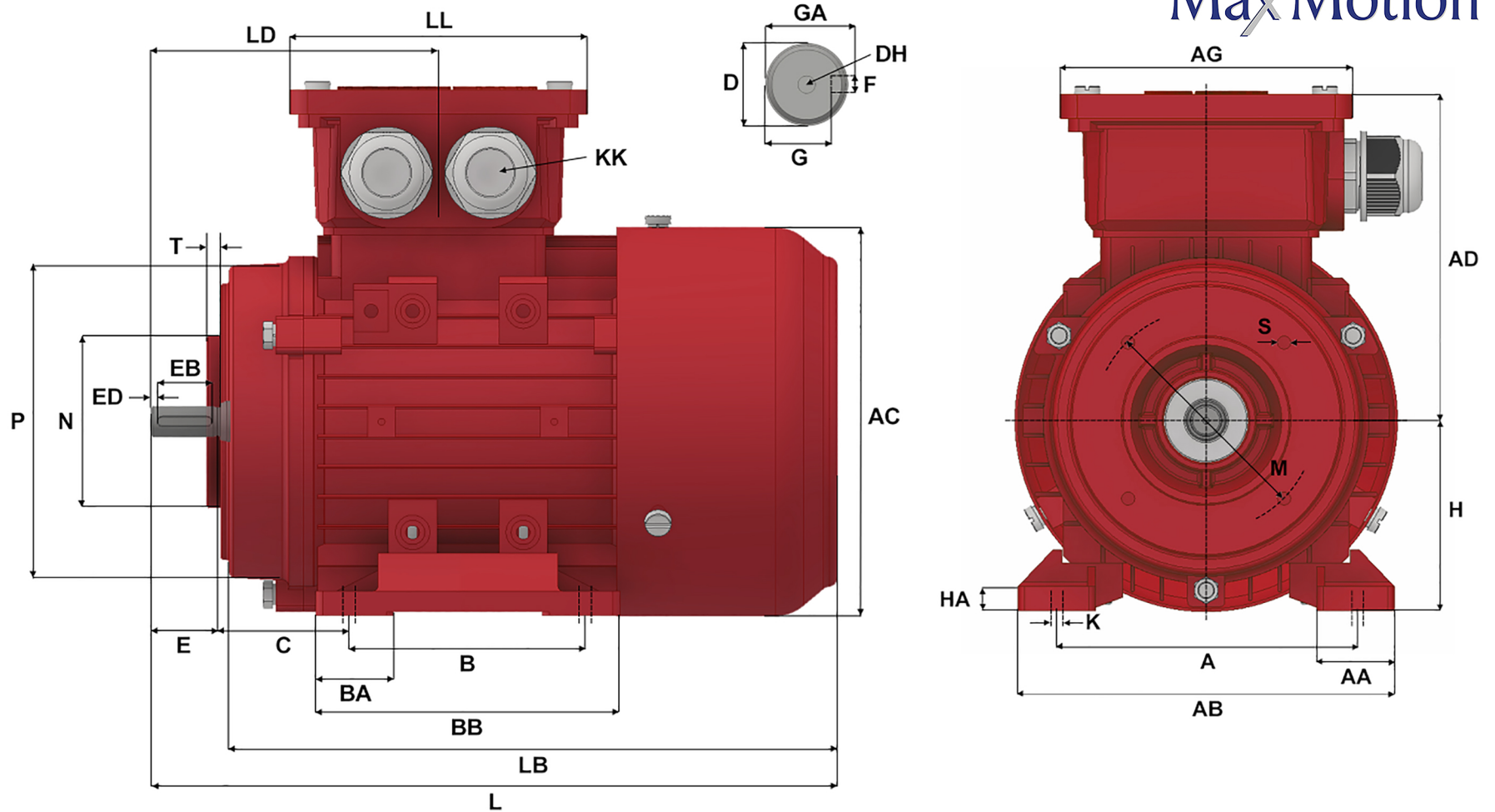


# MaxMotion



| Version: 1JLEM   |           | Revised: 09-11-2019 |        |     |       | HP  | RPM  | FRAME  | ENCLOSURE | IJA713-2-B34A |     |     |  |
|--|-----------|---------------------|--------|-----|-------|-----|------|--------|-----------|---------------|-----|-----|--|
| Customer is responsible in determining that Max Motion product will fit/perform suitably in the intended application |           |                     |        |     |       | 1   | 3455 | 71     | TEFC      |               |     |     |  |
| A  | B         | C                   | D      | E   | F     | G   | H    | K      | L         | M             | N   | P   |  |
| 112  | 90        | 45                  | 14     | 30  | 5     | 11  | 71   | 7 X 11 | 245       | 85            | 70  | 105 |  |
| S  | T         | AA                  | AB     | AC  | AD    | AG  | BA   | BB     | DH        | EB            | ED  | GA  |  |
| M6   | 2.5       | 26                  | 138    | 136 | 112   | 101 | 26   | 110    | M5 X 12   | 25            | 2.5 | 16  |  |
| HA   | KK (1)    | KK (2)              | KK (3) | LB  | LD    | LL  |      |        |           |               |     |     |  |
| 8  | M20 X 1.5 | 1/2" NPT            | -      | 215 | 110.5 | 101 |      |        |           |               |     |     |  |